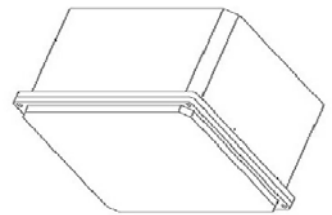
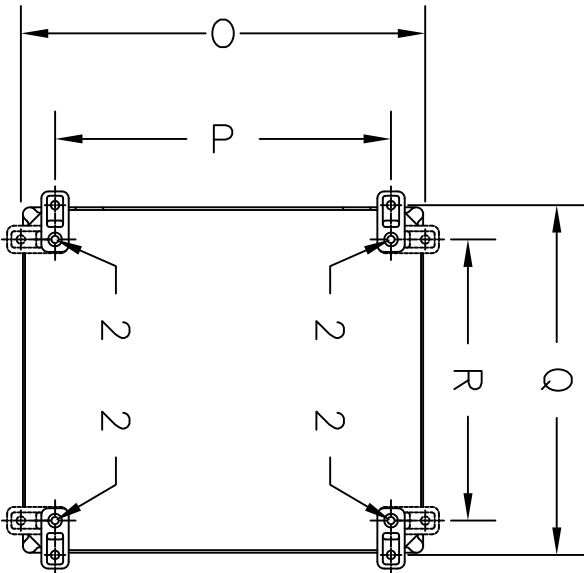
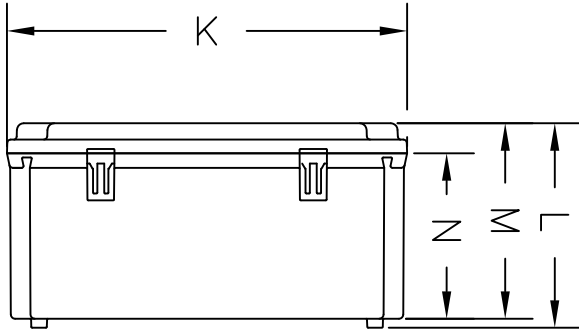
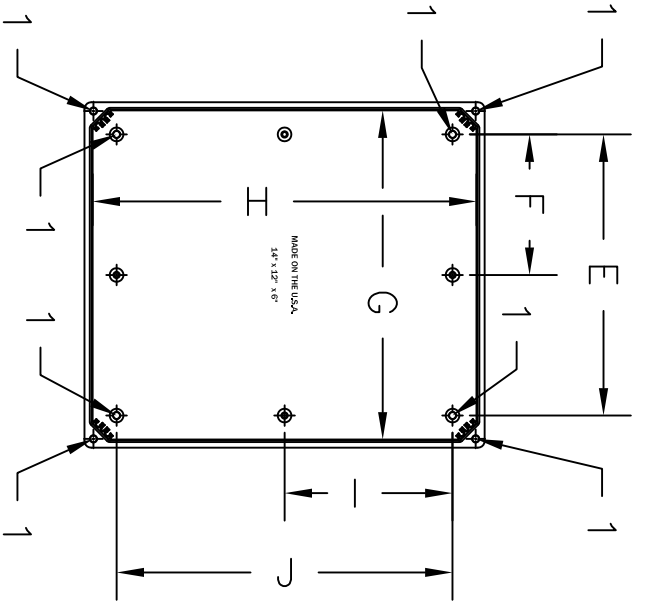
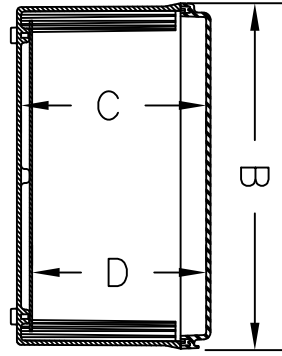


NOTES:
 HOLES MARKED WITH "1" DENOTE #10-32UNF THREADED BRASS INSERT INSTALLED
 HOLES MARKED WITH "2" DENOTE 1/4-20UNF THREADED BRASS INSERT INSTALLED



DIM.	INCHES	DIM.	INCHES
A	N/A	J	12-1/4
B	12-5/8	K	14-5/8
C	6-3/4	L	7-7/16
D	6-3/8	M	7-1/8
E	10-1/4	N	6-1/16
F	5-1/8	O	14-3/4
G	12	P	12-1/4
H	14	Q	12-3/4
I	6-1/8	R	10-1/4

CHANGES	TOLERANCES	DRAWN BY	DATE
F	DECIMALS xxx = 0.006	C. BARBICK	03/29/10
E	FRACTIONAL x/2 = 0.1/64		
D	ANGLES x = 0.1/2		
C			
B			
A			

MATERIAL SPECIFICATION:	ENCLOSURE DIMENSIONS
POLYCARBONATE	PC-141206-JXXX
	SCALE: 1"=1" (N/A)



MADE ON THE USA,
 14" x 12" x 6"