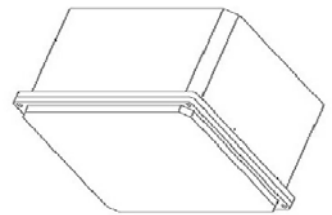
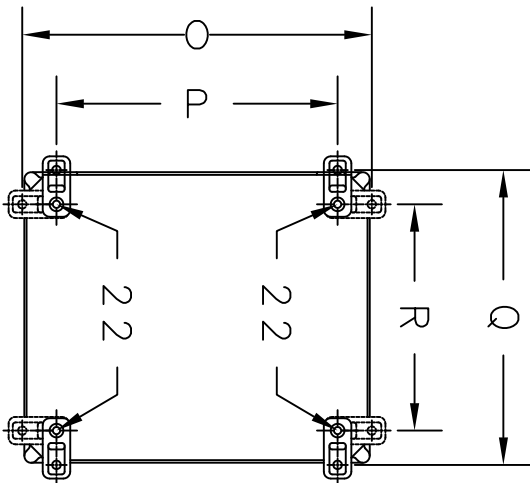
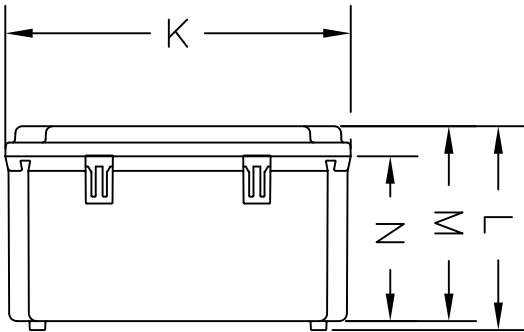
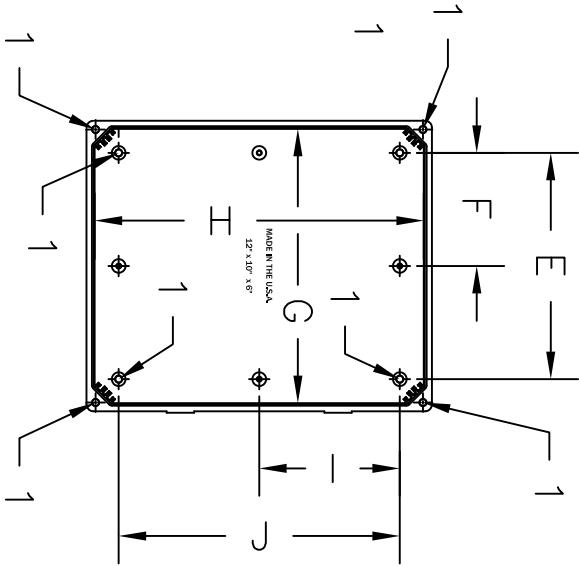
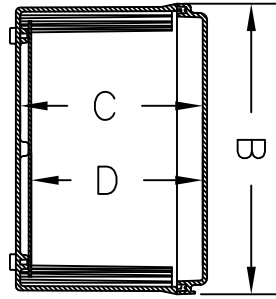


NOTES:
 HOLES MARKED WITH "1" DENOTE #10-32UNF THREADED BRASS INSERT INSTALLED
 HOLES MARKED WITH "2" DENOTE 1/4-20UNF THREADED BRASS INSERT INSTALLED



| DIM. | INCHES | DIM. | INCHES |
|------|--------|------|--------|
| A | N/A | J | 10-1/4 |
| B | 10-5/8 | K | 12-5/8 |
| C | 6-5/8 | L | 7-7/16 |
| D | 6-1/4 | M | 7-1/8 |
| E | 8-1/4 | N | 6 |
| F | 4-1/8 | O | 12-3/4 |
| G | 10 | P | 10-1/4 |
| H | 12 | Q | 10-3/4 |
| I | 5-1/8 | R | 8-1/4 |

| CHANGES | TOLERANCES | DRAWN BY | DATE |
|---------|---------------|------------|----------|
| F | DECIMALS | C. BARBICK | 03/29/10 |
| E | XXX = ±.006 | | |
| D | FRACTIONAL | | |
| C | 1/2" = ±.1/64 | | |
| B | ANGLES | | |
| A | X = ±1/2 | | |

| MATERIAL SPECIFICATION: | POLYCARBONATE |
|-------------------------|---------------|
|-------------------------|---------------|

| ENCLOSURE DIMENSIONS | SCALE: 1"=1" (1:1) |
|----------------------|--------------------|
| PC-121006-JXXX | N/A |

