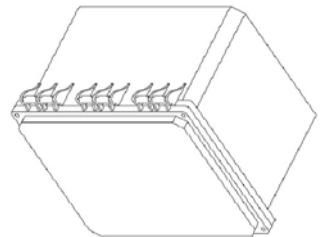
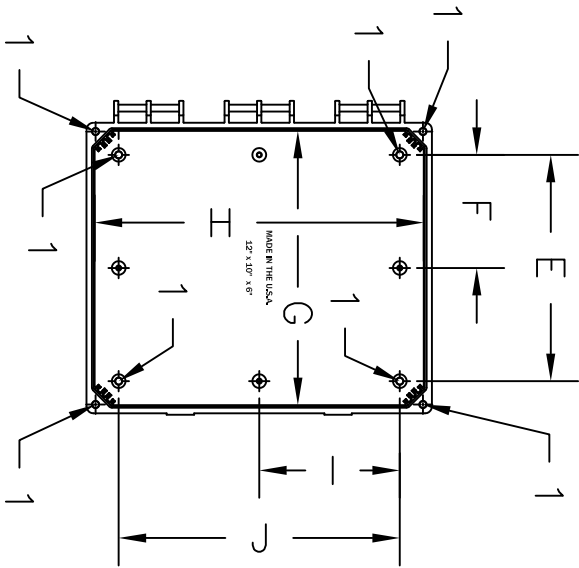
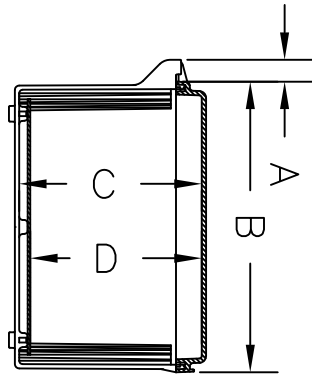
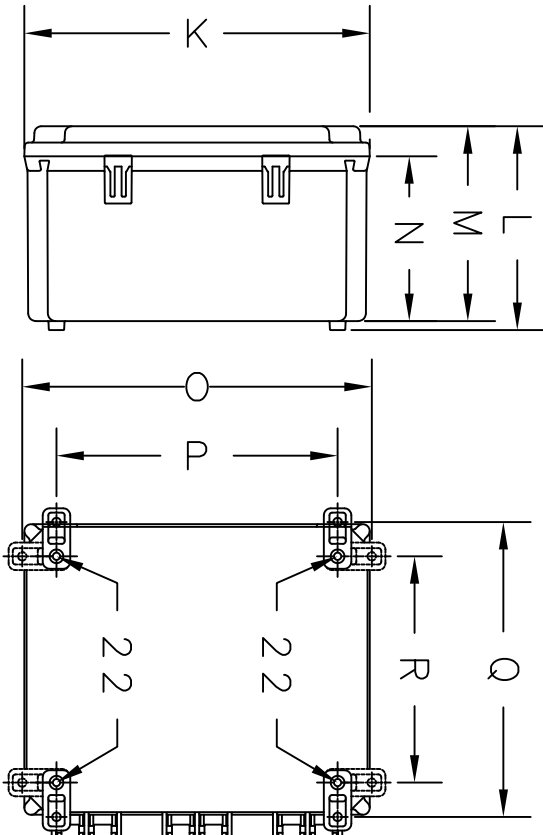


NOTES:
 HOLES MARKED WITH "1" DENOTE #10-32UNF THREADED BRASS INSERT INSTALLED
 HOLES MARKED WITH "2" DENOTE 1/4-20UNF THREADED BRASS INSERT INSTALLED



DIM.	INCHES	DIM.	INCHES
A	13/16	J	10-1/4
B	10-5/8	K	12-5/8
C	6-5/8	L	7-7/16
D	6-1/4	M	7-1/8
E	8-1/4	N	6
F	4-1/8	O	12-3/4
G	10	P	10-1/4
H	12	Q	10-3/4
I	5-1/8	R	8-1/4



CHANGES	TOLERANCES	DRAWN BY	DATE
F	DECIMALS	C. BARBICK	03/29/10
E	XXX = ±.006		
D	FRACTIONAL		
C	1/2" = ±.1/64		
B	ANGLES		
A	X = ±1/2		

MATERIAL SPECIFICATION:	POLYCARBONATE
-------------------------	---------------

ENCLOSURE DIMENSIONS	SCALE: 1"=1" (1:1)
PC-121006-HXXX	N/A

