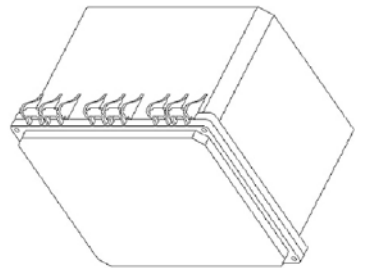
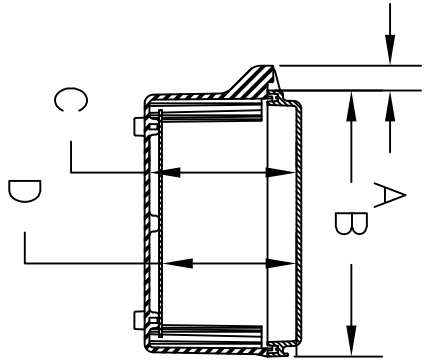
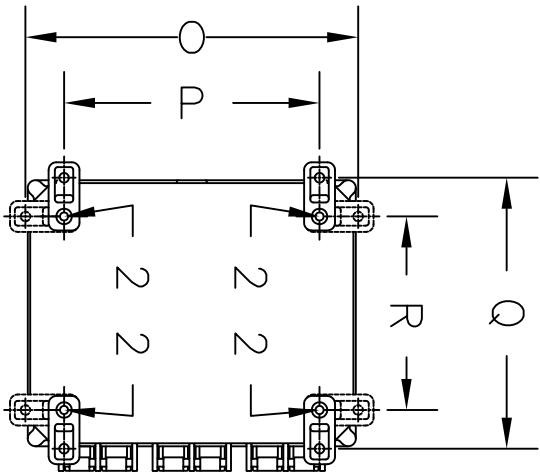
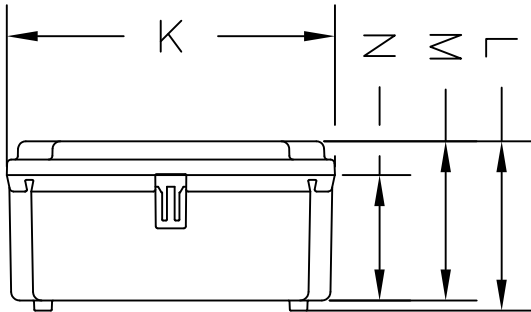
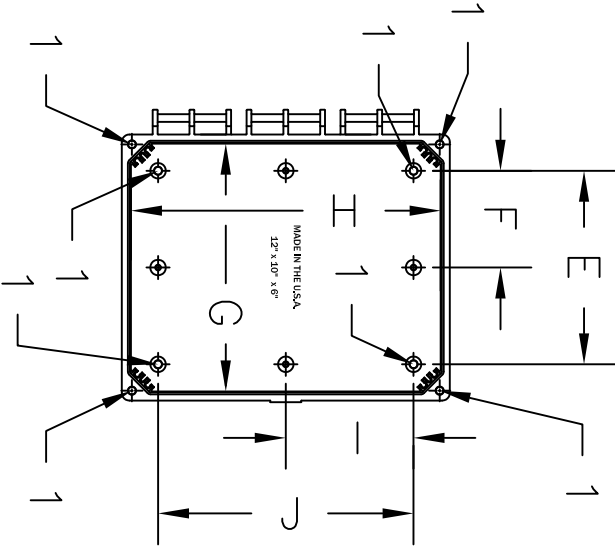


NOTES: HOLES MARKED WITH "1" DENOTE #10-32UNF THREADED BRASS INSERT INSTALLED
HOLES MARKED WITH "2" DENOTE 1/4-20UNF THREADED BRASS INSERT INSTALLED



DIM.	INCHES	DIM.	INCHES
A	13/16	J	8-1/4
B	8-5/8	K	10-5/8
C	4-3/4	L	5-1/2
D	4-3/8	M	5-1/8
E	6-1/4	N	4-1/16
F	3-1/8	O	10-3/4
G	8	P	8-1/4
H	10	Q	8-3/4
I	4-1/8	R	6-1/4



CHANGES	TOLERANCES	DRAWN BY	DATE
F	DECIMALS	C. BARRICK	03/20/10
E	3X		
D	FRACTIONAL		
C	1/2		
B	1/4		
A	ANGLES		

SCALE	PART NO.
N/A	PC-100804-HXXX

ES Enclosure Solutions, Inc.

ENCLOSURE DIMENSIONS

MADE IN THE U.S.A.
12" x 10" x 8"