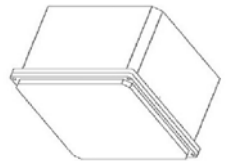
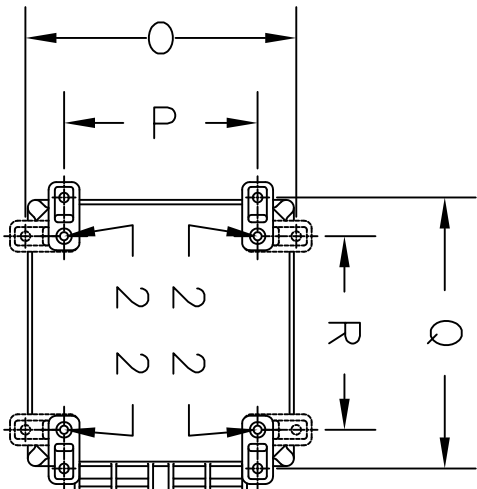
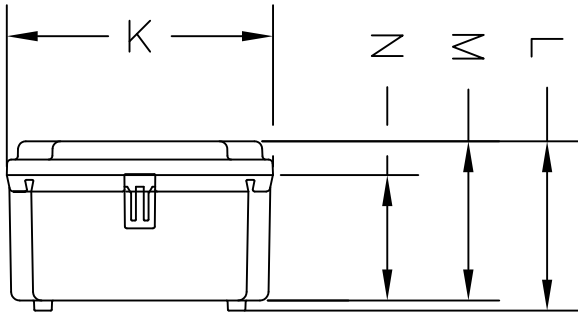
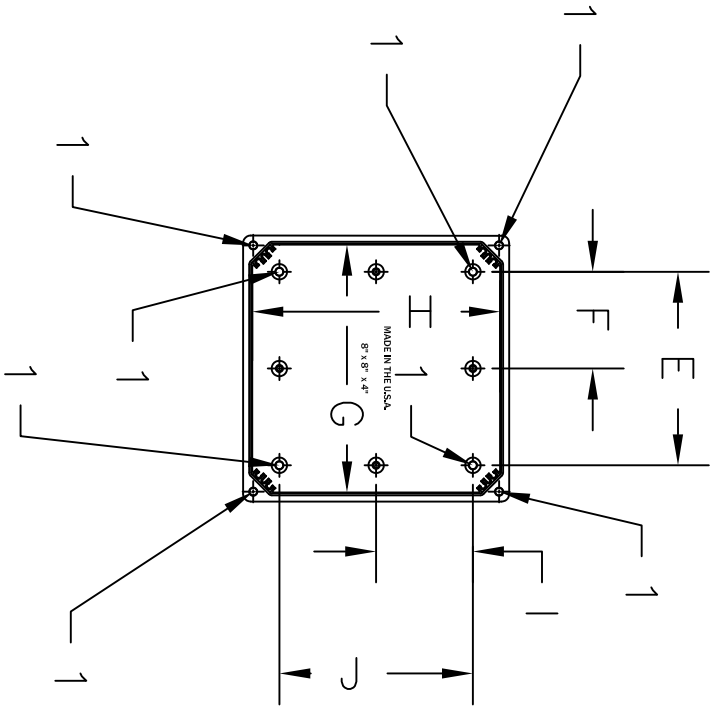
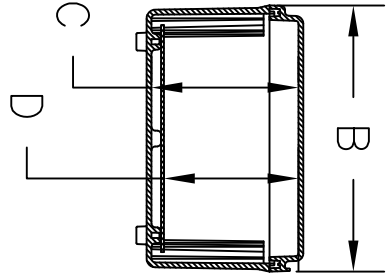


NOTES: HOLES MARKED WITH "1" DENOTE #10-32UNF THREADED BRASS INSERT INSTALLED
 HOLES MARKED WITH "2" DENOTE 1/4-20UNF THREADED BRASS INSERT INSTALLED



DIM.	INCHES	DIM.	INCHES
A	N/A	J	6-1/4
B	8-5/8	K	8-5/8
C	4-3/4	L	5-1/2
D	4-3/8	M	5-1/8
E	6-1/4	N	4-1/16
F	3-1/8	O	8-3/4
G	8	P	6-1/4
H	8	Q	8-3/4
I	3-1/8	R	6-1/4

CHANGES	TOLERANCES	DRAWN BY	DATE
F	DECIMALS	C. BARRICK	03/31/10
E	3X = ±.010	MATERIAL SPECIFICATION:	
D	FRACTIONAL	POLYCARBONATE	
C	1/2 = ±.005		
B	1/4 = ±.004		
A	ANGLES		
	X = ±.012		

ENCLOSURE DIMENSIONS

ES enclosure solutions, Inc.

SCALE: PART NO. PC-080804-JXXX

N/A