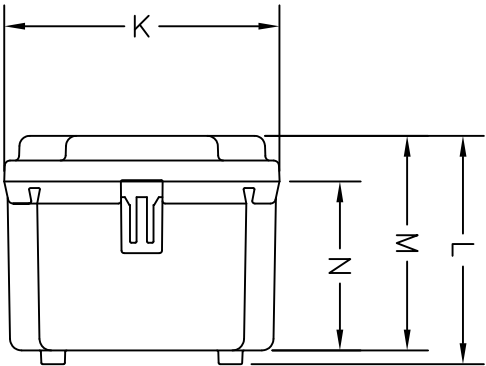
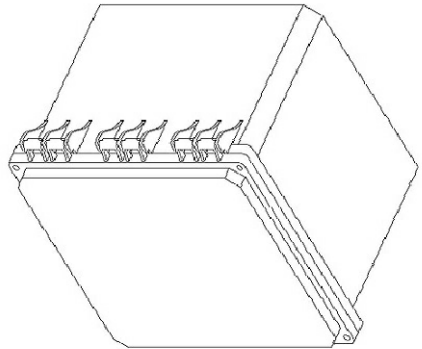
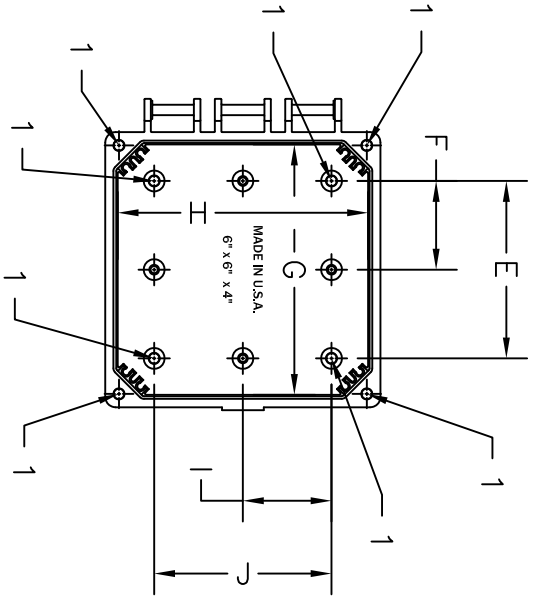
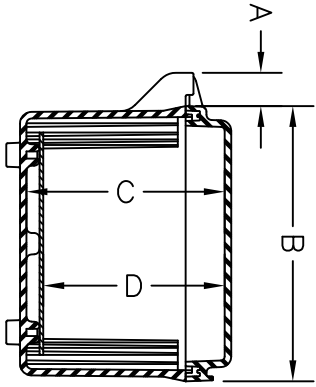
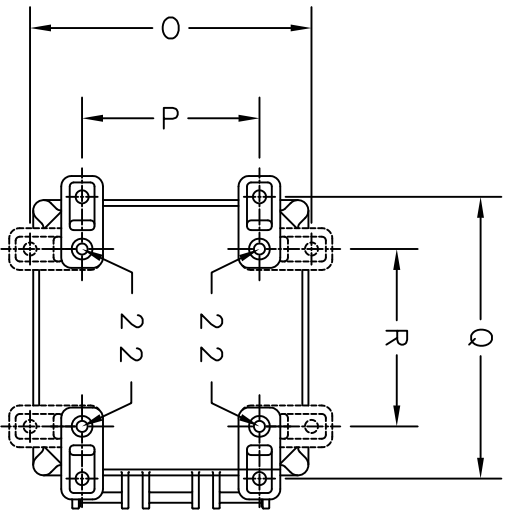


PC-060604-HXXX

NOTES:
 HOLES MARKED WITH "1" DENOTE #10-32UNF
 THREADED BRASS INSERT INSTALLED. HOLES
 MARKED WITH "2" DENOTE 1/4-20UNF
 THREADED BRASS INSERT INSTALLED.



DIM.	INCHES	DIM.	INCHES
A	13/16	J	4-1/4
B	6-5/8	K	6-5/8
C	4-3/4	L	5-1/2
D	4-3/8	M	5-1/8
E	4-1/4	N	4-1/16
F	2-1/8	O	6-3/4
G	6	P	4-1/4
H	6	Q	6-3/4
I	2-1/8	R	4-1/4



CHANGES	TOLERANCES	DRAWN BY	DATE
F	DECIMALS .xxx = ±.005	C. BARRICK	03/31/10
E	.xx = ±.010		
D	FRACTIONAL x/x = ±1/64		
C	ANGLES x = ±1/2		
B			
A			

MATERIAL SPECIFICATION:	POLYCARBONATE
-------------------------	---------------

ENCLOSURE DIMENSIONS	SCALE: PART NO.
	N/A
	PC-060604-HXXX

Esnclosure
 olutions, Inc.