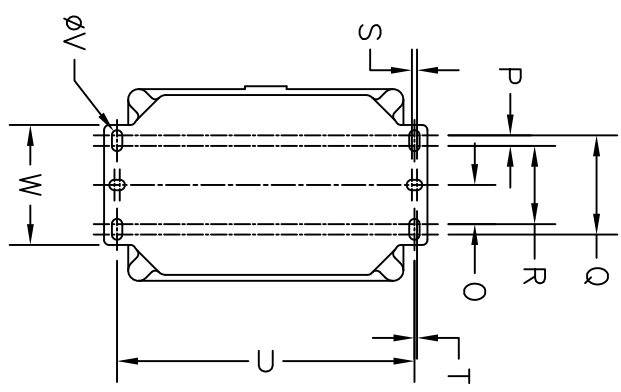
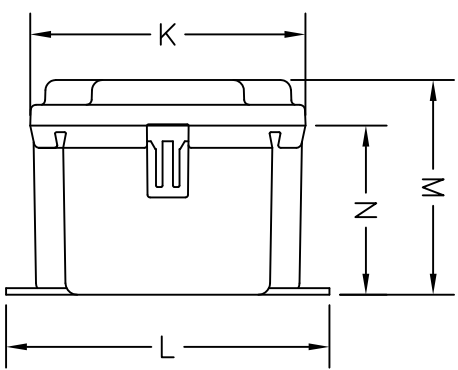
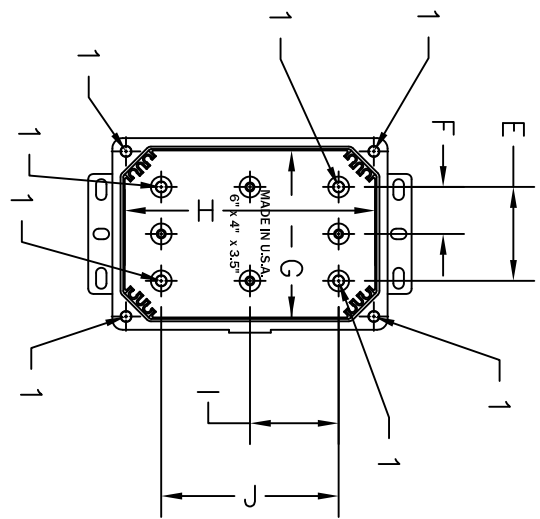
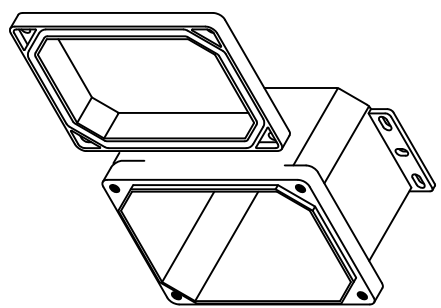
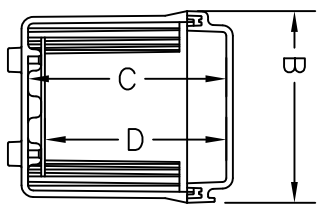


PC-060435-JXX

NOTES:
 HOLES MARKED WITH "1" DENOTE #10-32UNF
 THREADED BRASS INSERT INSTALLED. HOLES
 MARKED WITH "2" DENOTE 1/4-20UNF
 THREADED BRASS INSERT INSTALLED.



| DIM. | INCHES |
|------|--------|
| A | N/A |
| B | 5-3/8 |
| C | 4-3/4 |
| D | 4-3/8 |
| E | 2-1/4 |
| F | 1-1/8 |
| G | 4 |
| H | 6 |
| I | 2-1/8 |

| DIM. | INCHES |
|------|--------|
| J | 4-1/4 |
| K | 6-5/8 |
| L | 7-3/4 |
| M | 5-1/8 |
| N | 4-1/16 |
| O | 15/16 |
| P | 1/4 |
| Q | 2-3/8 |
| R | 1-7/8 |
| S | 1/8 |
| T | 1/16 |
| U | 7-1/8 |
| V | 1/4 |
| W | 2-7/8 |

| CHANGES | TOLERANCES | DRAWN BY | DATE |
|---------|--------------------------|------------|-----------|
| F | DECIMALS .xxx = ±.005 | C. BARRICK | 1/24/2012 |
| E | .xx = ±.010 | | |
| D | FRACTIONAL | | |
| C | x/x = ±1/64 | | |
| B | ANGLES | | |
| A | x = ±1/2 | | |

MATERIAL SPECIFICATION:
 POLYCARBONATE



ENCLOSURE DIMENSIONS
 SCALE: PART NO.
 N/A PC-060435-JXX