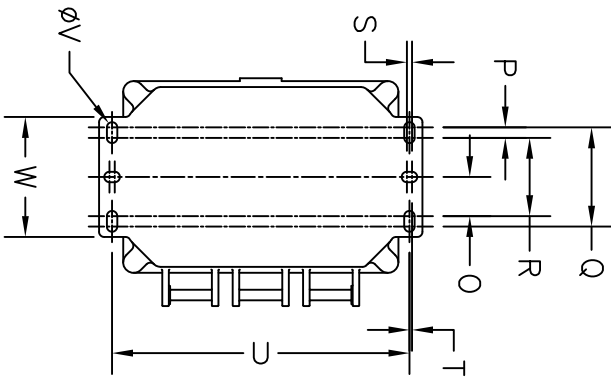
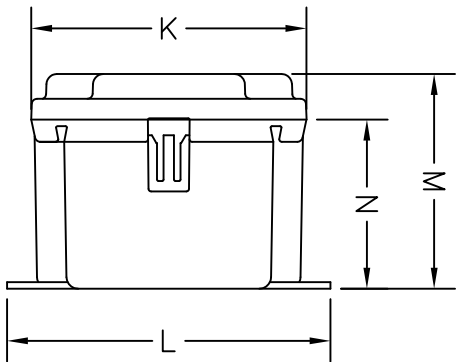
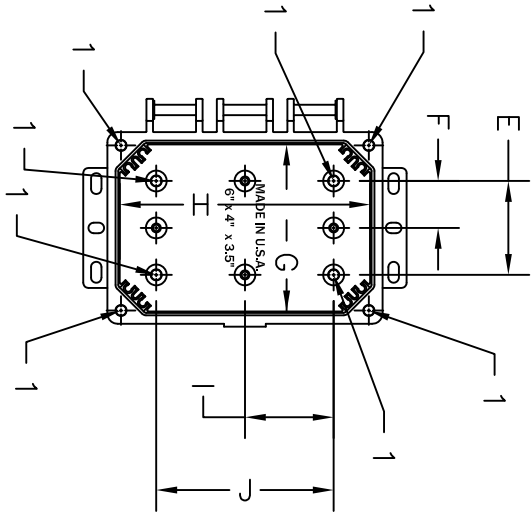
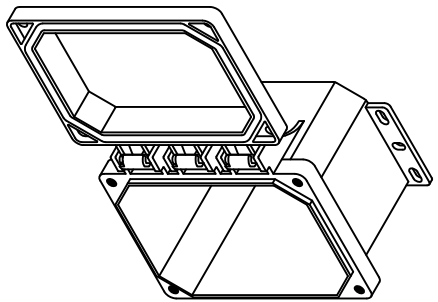
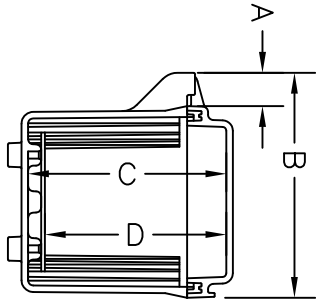


PC-060435-XXXX

NOTES:
 HOLES MARKED WITH "1" DENOTE #10-32UNF
 THREADED BRASS INSERT INSTALLED. HOLES
 MARKED WITH "2" DENOTE 1/4-20UNF
 THREADED BRASS INSERT INSTALLED.



DIM.	INCHES
A	13/16
B	5-3/8
C	4-3/4
D	4-3/8
E	2-1/4
F	1-1/8
G	4
H	6
I	2-1/8

DIM.	INCHES
J	4-1/4
K	6-5/8
L	7-3/4
M	5-1/8
N	4-1/16
O	15/16
P	1/4
Q	2-3/8
R	1-7/8
S	1/8
T	1/16
U	7-1/8
V	1/4
W	2-7/8

CHANGES	TOLERANCES	DRAWN BY	DATE
F	DECIMALS .xxx = ±.005	C. BARRICK	1/24/2012
E	.xx = ±.010		
D	FRACTIONAL		
C	x/x = ±1/64		
B	ANGLES		
A	x = ±1/2		

MATERIAL SPECIFICATION:	POLYCARBONATE
-------------------------	---------------

SCALE:	PART NO.
N/A	PC-060435-XXXX



ENCLOSURE
 DIMENSIONS