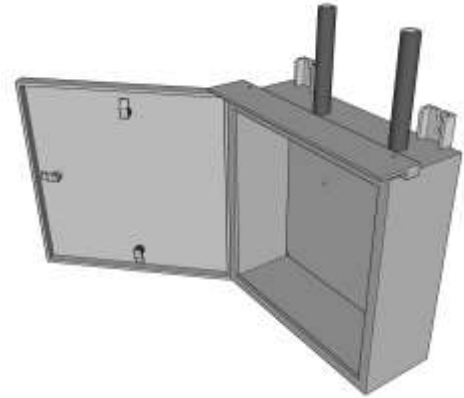


Wireless Repeater Enclosures – NEMA 4X

Available from Enclosure Solutions, Inc. is a selection of enclosures designed specifically for the protection of wireless fire alarm systems. These enclosures deliver complete with a PVC subpanel fitted with studs for hanging a typical repeater box. Just hang and go!



Features and Benefits

- Protect your wireless fire alarm systems in an enclosure designed specifically for that application
- The PVC material is invisible to radio waves, allowing full protection with full functionality
- Available in 32"x16"x6" (the "Maxi") to house a typical Fire Repeater with high gain antennas, or choose the 16"x16"x6" (the "Mini") version with PVC Antenna Protection System and minimize the installation footprint
- Customization for your specific application is available
- The PVC Enclosure is easily paintable to match your installation location
- Choose between draw down latching or keyed quarter-turn latching
- PVC material with proprietary construction technique, combined with full penetration, like-material welding produces a strong, durable enclosure.
- Use standard PVC solvent cement to attach fittings
- NEMA 4X construction, UL-94 5VA Flame Rating, f(1) UV Rating – This product is not UL listed, so please confirm with your local authority if UL listing is required.
- The unique mounting foot system makes installation easy and adaptable

For more information, please contact your local agent, or contact us at:

Enclosure Solutions, Inc.
1-216-772-2930/1-877-761-0961 (FAX)
toddimbler@enclosure-solutions.com
www.enclosure-solutions.com

Wireless Repeater Enclosures – NEMA 4X

Choose from the following enclosures designed specifically for the installation of wireless fire alarm repeater units:

<i>Part Number</i>	<i>Description</i>	<i>L x W x D</i>	<i>Wt</i>	<i>List Price</i>
ES321606-FR1	Maxi Wireless Repeater Enclosure Including Subpanel and Padlockable Draw-Down Latching	32"x16"x6"	25#	Call
ES321606-FR2	Maxi Wireless Repeater Enclosure Including Subpanel and Quarter-Turn Latching, Keyed	32"x16"x6"	25#	Call

The Maxi Wireless Repeater Enclosure allows the installation of a standard repeater with high-gain antenna's installed. The enclosure comes complete with a PVC subpanel installed. The PVC subpanel includes stainless steel mounting studs for the easy installation of the repeater.

<i>Part Number</i>	<i>Description</i>	<i>L x W x D</i>	<i>Wt</i>	<i>List Price</i>
ES161606-FR1	Mini Wireless Repeater Enclosure Including Subpanel and Draw Down Padlockable Latching	16"x16"x6"	15#	Call
ES161606-FR2	Mini Wireless Repeater Enclosure Including Subpanel and Quarter-Turn Latching, Keyed	16"x16"x6"	15#	Call

The Mini Wireless Repeater Enclosure allows the installation of the repeater and two High Gain Antenna in areas where there just isn't enough wall space for the Maxi the enclosure. The Mini's ship with two 14" Antenna Sheath Systems that connect with threaded adapters for easy installation and removal.

The enclosure comes complete with a PVC subpanel installed. The PVC subpanel includes Stainless steel mounting studs for the easy installation of the repeater device.

Call us for a quote for this exciting and unique product from Enclosure Solutions, Inc!

Enclosure Solutions, Inc.
1-216-772-2930
1-877-761-0961 (FAX)
www.enclosure-solutions.com