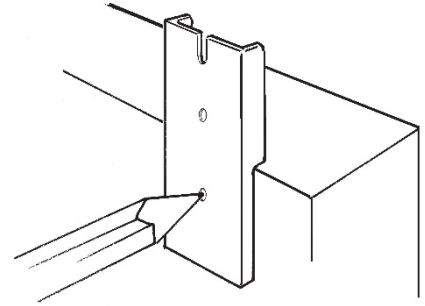


Wireless Repeater Installation Instructions

Thank you for purchasing the Enclosure Solutions, Inc. Wireless Repeater Enclosure. This NEMA 4X enclosure is designed to protect the CWSI AR-3 and AR-5 products in both outdoor and indoor environments.

1. Installation of Mounting Feet

- a. The enclosure comes with four PVC mounting feet and mounting hardware. Mounting requires the enclosure base be drilled to accept the .25" SS attachment screw. The mounting foot can be mounted at any point along the top or sides of the enclosure. We recommend two on the top horizontal plane and two on the bottom horizontal plane. The screws come with a sealing compound applied. No sealant is required. Tightening the nuts and washers will eliminate any water intrusion in installation.
- b. The Mounting Feet Kit is included with both the ES1616-Series and the ES321606-Series of enclosures



2. Installation of Antenna Sheaths

- a. This applies to ES161606-Series enclosures only.
- b. The enclosure is supplied with two pre-milled holes, and two 14" sheath assemblies. The assemblies include 3/4" PVC conduit, PVC terminal adapters, O-rings, Locknuts, and a 3/4" PVC pipe cap.
- c. Use standard PVC conduit cement to attach the conduit section to the cap and terminal adapter.
- d. Attach the sheath to the enclosure using the terminal adapter, o-ring and locknut provided. Tighten the locknut to ensure a watertight seal. Note that the sheaths can be removed in the future to allow removal of the repeater or the repeater antennas.

3. Installation of the Repeater/Subpanel Components

- a. The PVC subpanel (provided) includes two #10 studs installed to accept the AR-3 and AR-5 product. Note that the studs are mounted in brass inserts, you can tighten the studs as necessary post installation.
- b. The subpanel is sized to provide space for the installation of components such as heaters, terminal strips, thermostats, etc. The .25" PVC sheet material can be drilled and components attached using standard SS pan head screws.

4. General Mounting Instructions

- a. The enclosure is manufactured using a UL-listed PVC sheet. The sheet is both flame rated and UV rated and is suitable for outdoor installation.
- b. It is a good practice to mount the enclosure in an area that provides some sun and/or weather protection, such as under an eave.

- c. The door features a closed cell neoprene gasket. In the event of damage, this gasket can be replaced in the field. Please contact Enclosure Solutions if replacement material is ever needed.
- d. The enclosure is provided with no conduit/wiring holes. The best way to drill the PVC material is with a “speed-bore” or a uni-bit. We recommend using sharp tools, and we further recommend entering the enclosure from the bottom wall.
- e. Being manufactured using PVC sheet, the use of PVC solvent cements to secure fittings is encouraged.

If you have any questions, or need a drawing or AutoCad file, please contact us at:

Enclosure Solutions, Inc. www.enclosure-solutions.com
Phone: 1-800-475-8308
e-mail at support@enclosure-solutions.com



AR-5 Repeater Installed in ES321606-FR2 Enclosure



Figure 1AR-3 Repeater in ES161606-FR2 Enclosure with One Short Sheath

3-16-2017