

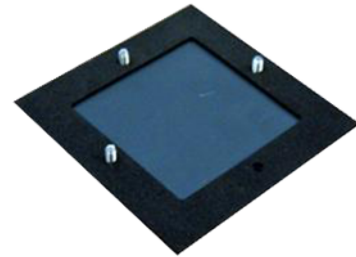
# NEMA 4X Pull-Through WireWay

Our NEMA 4X Pull-Through wireway is intended for use in wash down applications or other applications where non-corrosive, non-conductive wireway is required.

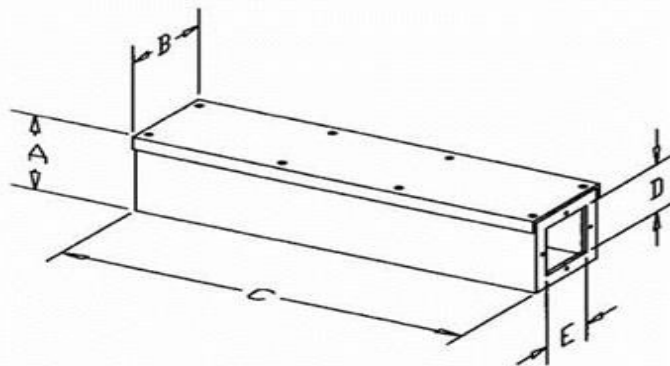
Sections are designed to bolt together, gaskets and SS hardware is provided.

This product is also available in custom dimensions and with optional dividers.

	Catalog	A	B	C	D	E
6"x6"	EW060612	6	6	12	4	4
	EW060618	6	6	18	4	4
	EW060624	6	6	24	4	4
	EW060636	6	6	36	4	4
	EW060648	6	6	48	4	4
	EW060660	6	6	60	4	4
	EW060672	6	6	72	4	4
8"x8"	EW060696	6	6	96	4	4
	EW080812	8	8	12	6	6
	EW080818	8	8	18	6	6
	EW080824	8	8	24	6	6
	EW080836	8	8	36	6	6
	EW080848	8	8	48	6	6
	EW080860	8	8	60	6	6
12"x12"	EW080872	8	8	72	6	6
	EW080896	8	8	96	6	6
	EW121218	12	12	18	10	10
	EW121224	12	12	24	10	10
	EW121236	12	12	36	10	10
	EW121248	12	12	48	10	10
	EW121260	12	12	60	10	10
90 Degree Elbows	EW121272	12	12	72	10	10
	EW121296	12	12	96	10	10
	EW906	6	6	6	4	4
45 Degree Elbows	EW908	8	8	8	6	6
	EW9012	12	12	12	10	10
	EW4506	6	6	6	4	4
End Caps	EW4508	8	8	8	6	6
	EW4512	12	12	12	10	10
	EWCP04	4	4			
	EWCP06	6	6			
	EWCP08	8	8			
	EWCP012	12	12			



Note that this product can not be cut to length. We can manufacture sections to your specific requirements.



For more information about WireWay or any of the other products in our line, please call us at 1-216-772-2930, or visit our website, [www.enclosure-solutions.com](http://www.enclosure-solutions.com)