

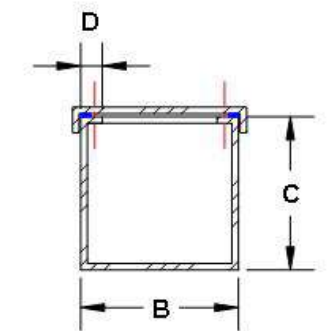
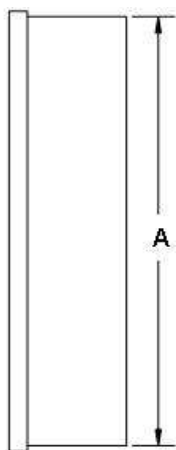
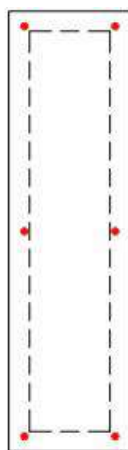
NEMA 4X Wiring Trough

Our NEMA 4X Wiring Trough is intended for use in wash down applications or other applications where a non-corrosive, non-conductive wiring trough is required. The product is built in sturdy 0.25" PVC sheet with full penetration welded seams. Custom sizing is available, including variations in width and depth.

	Catalog Number	A	B	C	D
6"x6"	ET060612	6	6	12	0.75
	ET060618	6	6	18	0.75
	ET060624	6	6	24	0.75
	ET060636	6	6	36	0.75
	ET060648	6	6	48	0.75
	ET060660	6	6	60	0.75
	ET060672	6	6	72	0.75
8"x8"	ET080812	8	8	12	0.75
	ET080818	8	8	18	0.75
	ET080824	8	8	24	0.75
	ET080836	8	8	36	0.75
	ET080848	8	8	48	0.75
	ET080860	8	8	60	0.75
	ET080872	8	8	72	0.75
12"x12"	ET121218	12	12	18	0.75
	ET121224	12	12	24	0.75
	ET121236	12	12	36	0.75
	ET121248	12	12	48	0.75
	ET121260	12	12	60	0.75
	ET121272	12	12	72	0.75



Hinging and latching is also available!



SS Self-Tapping Plastite Screws

For more information about Wiring Trough or any of the other products in our line, please call us at 1-216-772-2930, or visit our website, www.enclosure-solutions.com