

"PolyGuard" Polycarbonate Enclosures

UL-Listed Type 4X, 12, 6P, and 13

File No. E226322

Enclosure Solutions, Inc. re-sets the bar for functionality aesthetics, service, design and value with the "PolyGuard" Series of polycarbonate enclosures.

Available in eight fundamental sizes ranging from 6"x4"x3.5" through 16"x14"x7", these enclosures are designed to protect your components and systems in the most difficult environments.



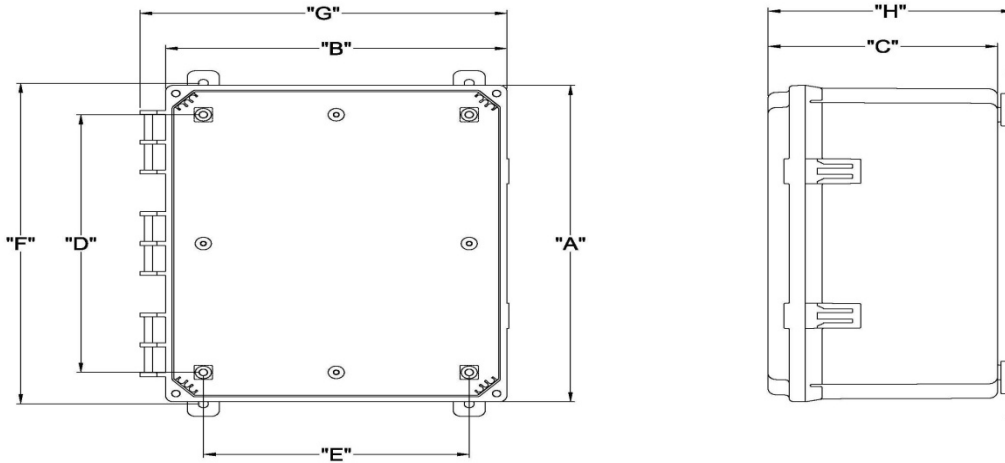
Features & Benefits:

- Durable polycarbonate construction is light, easy to machine, extremely impact resistant
- UL Listed for submersible applications (UL Types 6/6P), using up to 3" conduit hubs
- Available in external hinge construction as well as junction box construction
- External hinge design is easy to snap on and off, streamlining production or easing cover replacement
- Flat Covers and Side Walls make component and label installation easy
- Stainless Steel Slide-On Latching attaches latches firmly, without leaky rivets or bolts
- Four #10-32 inserts are provided on standard centers for subpanel installation
- Unique panel suspension system allow easy mounting of dead fronts, swing panels and stacked panels
- Independantly orientable mounting feet or optional mounting flanges ease installation
- Closed Cell fit-in-place gasket is durable, seals tight, and is easy to replace if necessary
- Modifications services (holes, color, screen printing) are available
- Our clear covers are 100% clear...no "gate marks" to obstruct your components in our design
- PolyGuard is molded in our own plant in Ohio for maximum quality control
- **Note that all enclosures include mounting feet or flange, base, and cover**

Applications:

- Industrial Control Panels
- Pump controls/Water Treatment
- Instrumentation and Contols
- Solar/Wind/Geothermal Controls
- RF Controls/Systems
- Irrigation and Water Control
- Marine and High-Corrosion Applications
- Applications where minimum weight and maximum impact resistance is important





Enclosure Dimensions

Enclosure Size	Dim "A"	Dim "B"	Dim "C"	Dim "D"	Dim "E"	Dim "F"	Dim "G"	Dim "H"
6"x4"x3.5"	6.59	4.59	4.22	4.25	2.25	7.13	2.13	4.22
6"x6"x4"	6.59	6.59	5.06	4.25	4.25	6.75	7.39	5.5
8"x6"x4"	8.59	6.59	5.06	6.25	4.25	8.75	7.39	5.5
8"x8"x4"	8.59	8.59	5.06	6.25	6.25	8.75	9.39	5.5
10"x8"x4"	10.59	8.59	5.06	8.25	6.25	10.75	9.39	5.5
10"x8"x6"	10.59	8.59	7.13	8.25	6.25	10.75	9.39	7.44
12"x10"x6"	12.59	10.59	7.13	10.25	8.25	12.75	11.39	7.44
14"x12"x6"	14.59	12.59	7.13	12.25	10.25	14.75	13.39	7.44
16"x14"x7"	16.59	14.59	8.25	14.25	12.25	16.75	15.39	8.52

