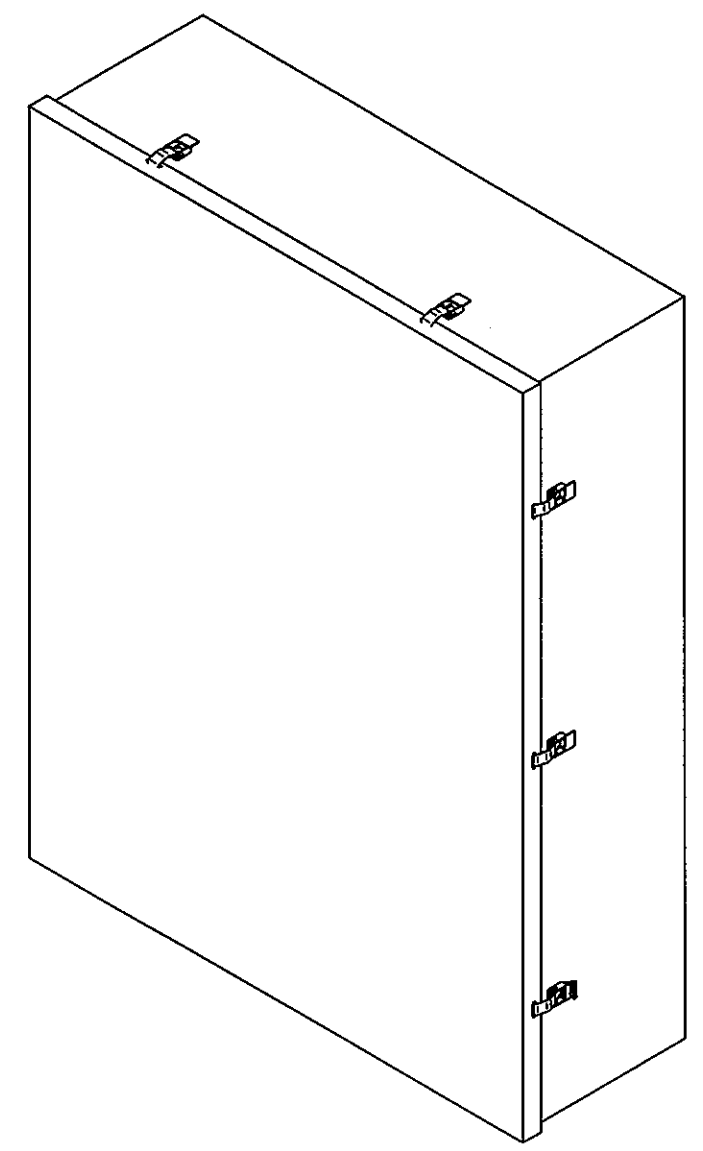
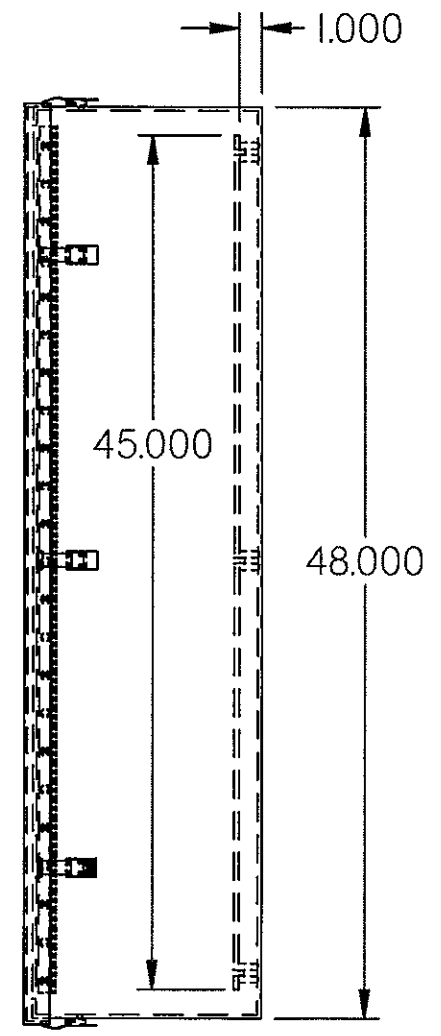
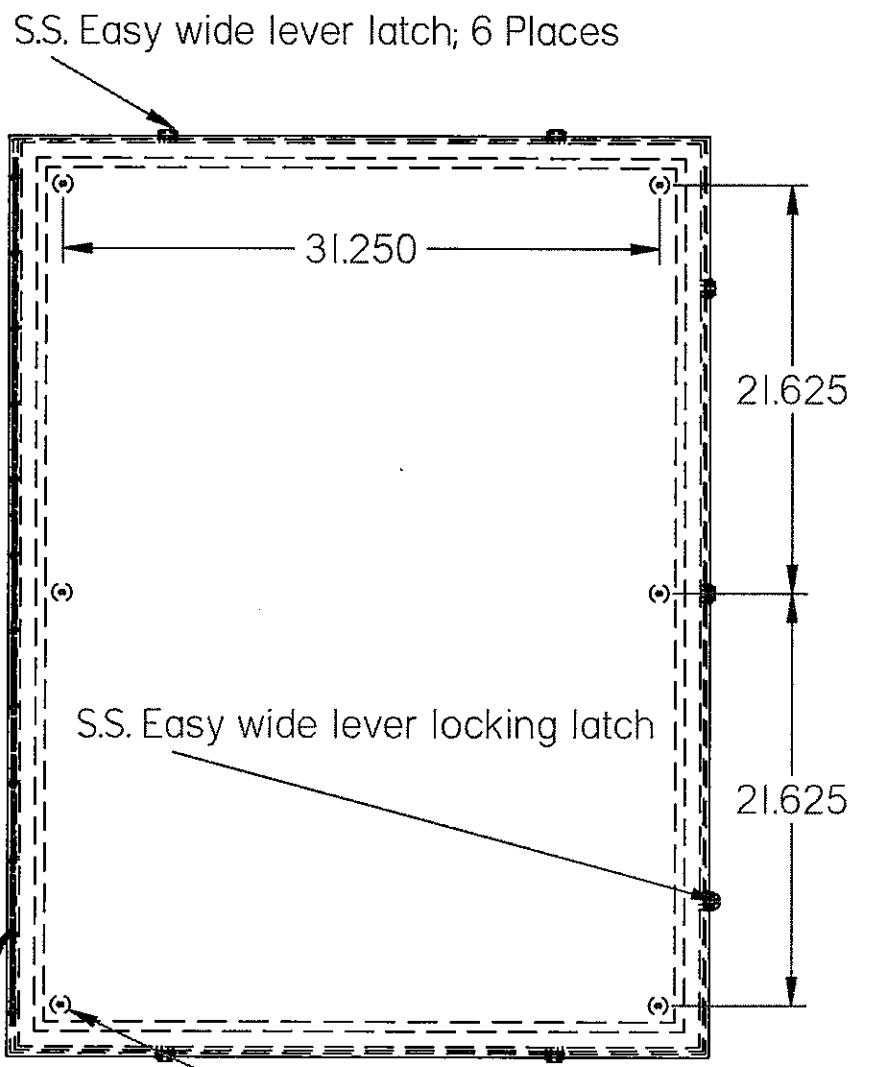
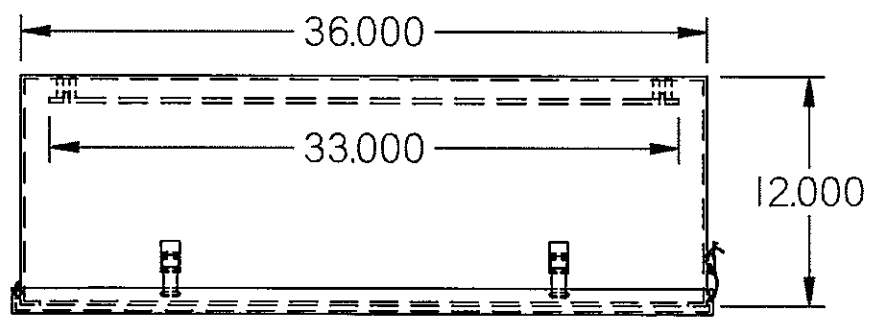


REV	DESCRIPTION	BY	DATE



S.S. Easy wide lever latch; 6 Places

S.S. Easy wide lever locking latch

S.S. Piano Hinge

1.000" Mounting boss with 1/4-20 brass insert; 6 places

Patent Nos 5,316,165 5,555,989 6,110,086

Material	.187 Grey PVC Type II		Enclosure Solutions, Inc. 2652 Eaton Road University Heights, OH 44118		APPROVED	
TOLERANCES UNLESS SPECIFIED			Enclosure Solutions, Inc. 2652 Eaton Road University Heights, OH 44118		CHECKED	
.00 ± .06	FRACTION ± 1/64		TELEPHONE: (216) 789-3814		DRAWN	
.000 ± .060	ANGULAR ± 15'		FAX: (216) 320-1089		Derek Bryant	
This information contained herein and hereon is the exclusive "PROPRIETARY PROPERTY" of Enclosure Solutions and is considered "CONFIDENTIAL". This information is not to be used or otherwise disclosed to any third party without the expressed WRITTEN CONSENT of Enclosure Solutions			INTERNET: toddimbler@adelphia.net		SCALE	
					DATE	Next Assy
					5/23/2011	
FINISH		SIZE	PART NO.	REV		
TITLE	ES483612PVCS		ES483612PVCS			
			B.O.M.	SHEET 1 OF 1		