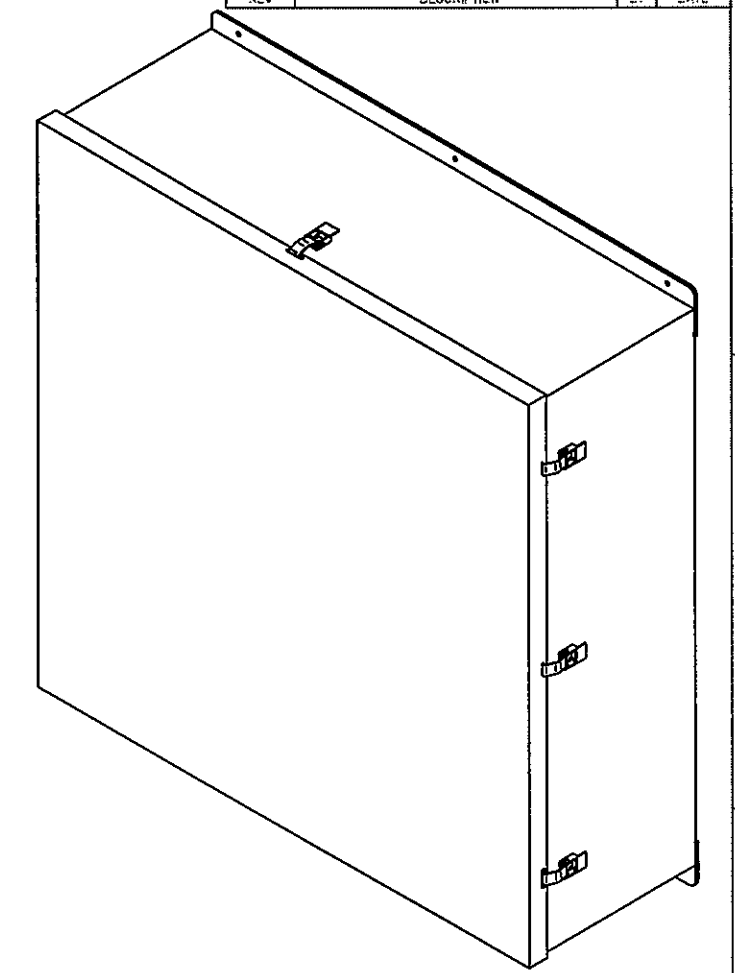
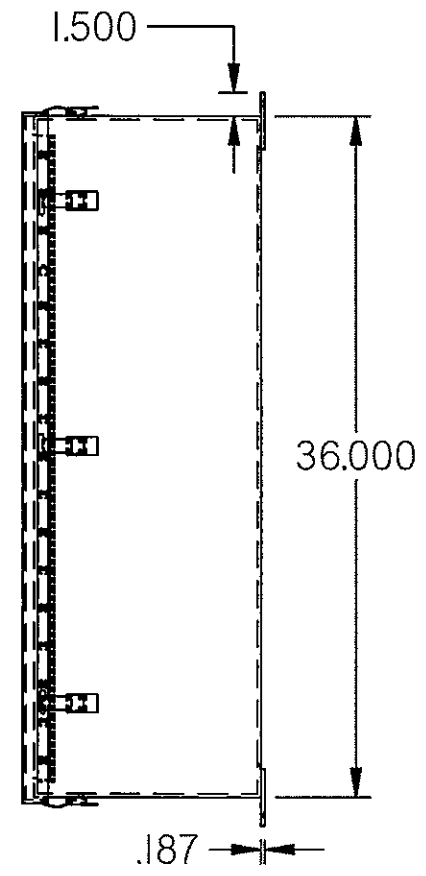
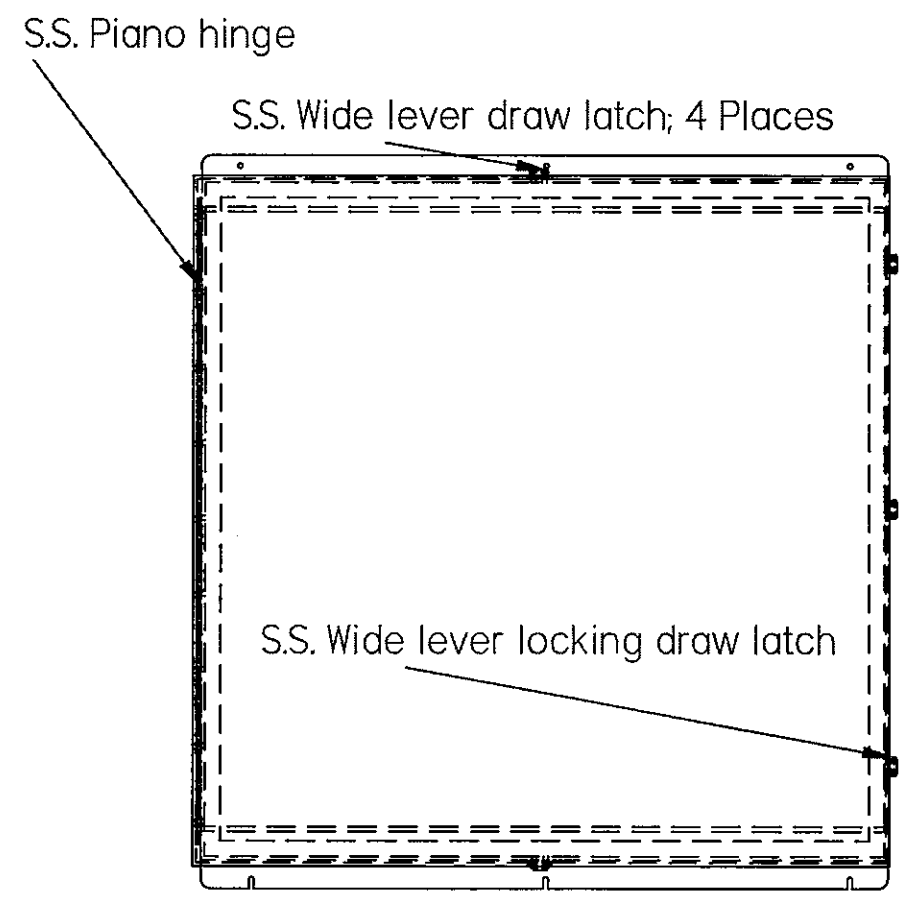
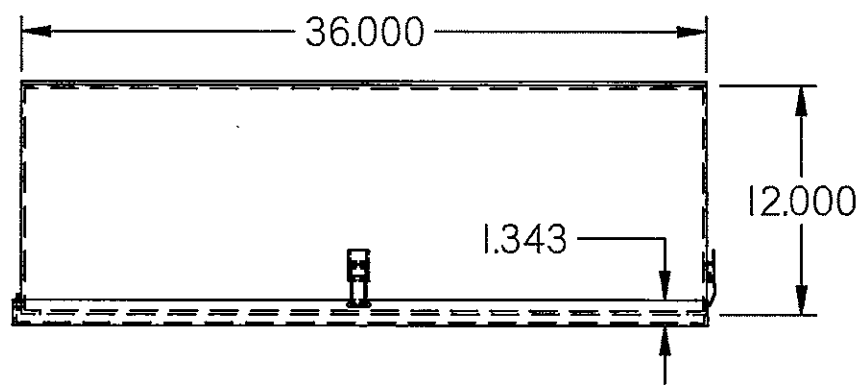


REV	DESCRIPTION	BY	DATE



Material: J87 Grey PVC Type II		Enclosure Solutions, Inc. 2652 Ecton Road University Heights, OH 44118 TELEPHONE: (216) 789-3814 FAX: (216) 320-1099 INTERNET: toddimbler@adelphia.net		APPROVED	
TOLERANCES UNLESS SPECIFIED .00 ± .05 FRACTION ± 1/64 .000 ± .000 ANGULAR ± 15'		This information contained herein and hereon is the exclusive "PROPRIETARY PROPERTY" of Enclosure Solutions and is considered "CONFIDENTIAL". This information is not to be used or otherwise disclosed to any third party without the expressed WRITTEN CONSENT of Enclosure Solutions		CHECKED	
FINISH		DATE		DRAWN	Derek Bryant
TITLE		SCALE		DATE	6/1/2011
ES363612PVCF		Next Assy			
		SIZE	PART NO.	REV	
		B.O.M.	ES363612PVCF		
		SHEET 1 OF 1			

Patent Nos 5,316,165 5,555,989 6,110,086