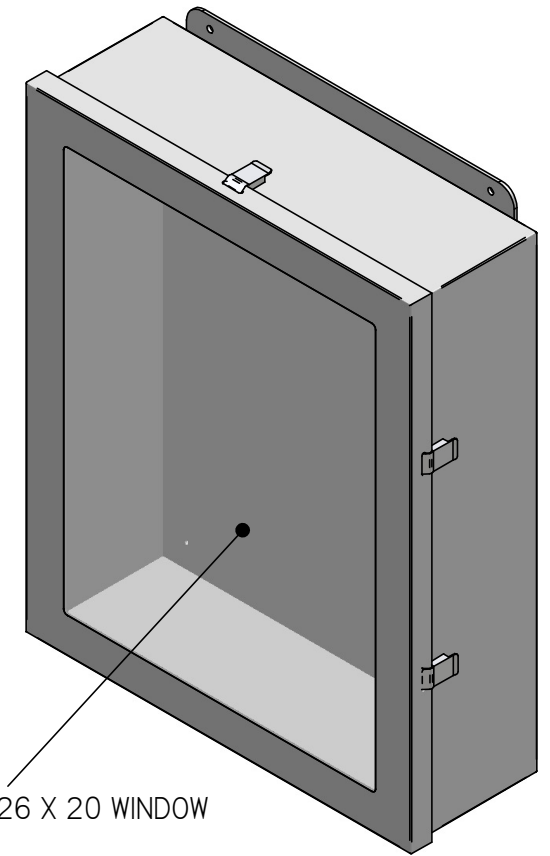
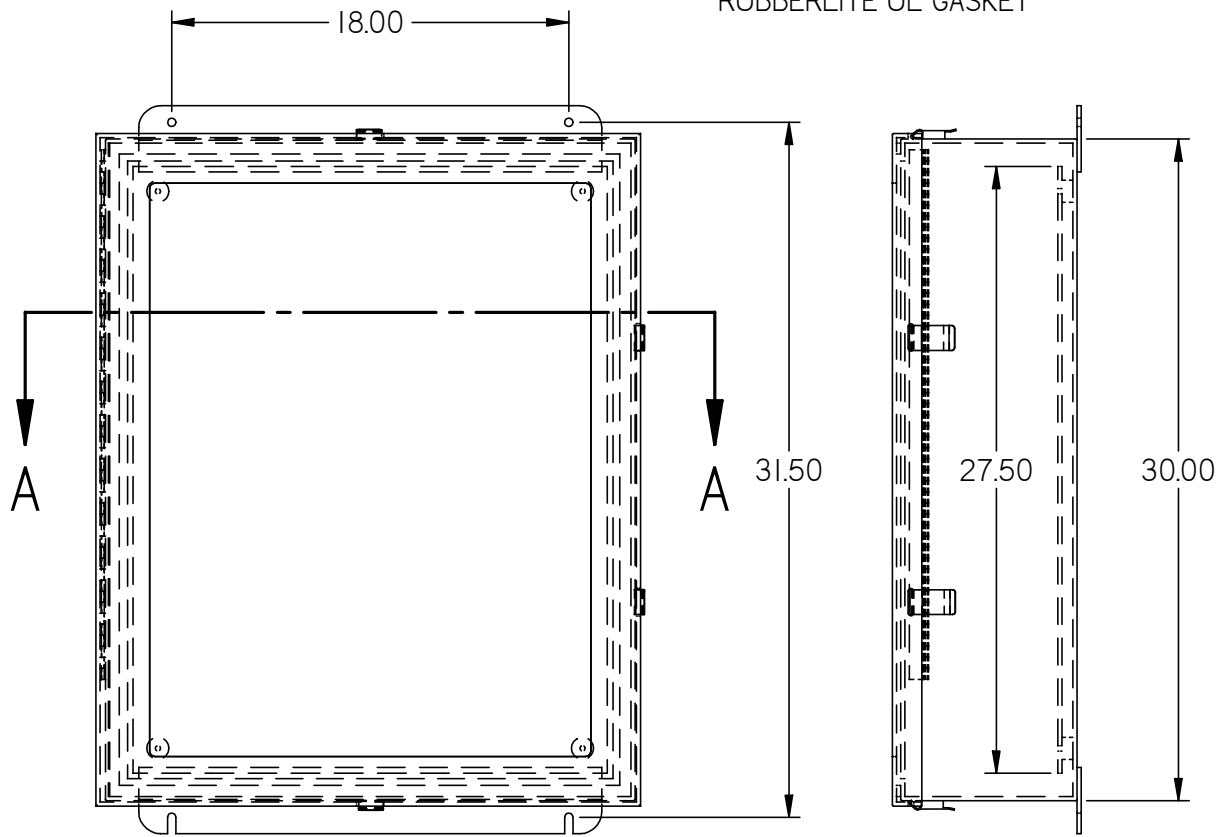


SECTION A-A



MAT'L :  
 GREY PVC TYPE II  
 NEMA 4X

**ENCLOSURE SOLUTIONS Inc.**  
 2652 Eaton Road University Heights, OH 44118  
 216 789 3814 [www.enclosure-solutions.com](http://www.enclosure-solutions.com)

**ES302408PVCFW**