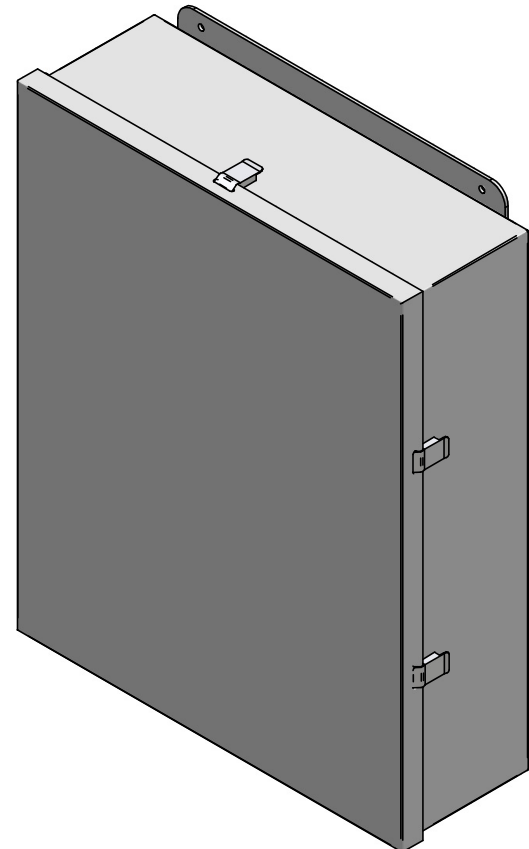
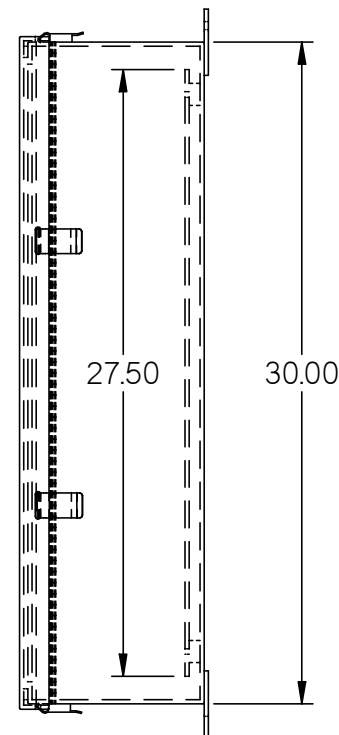
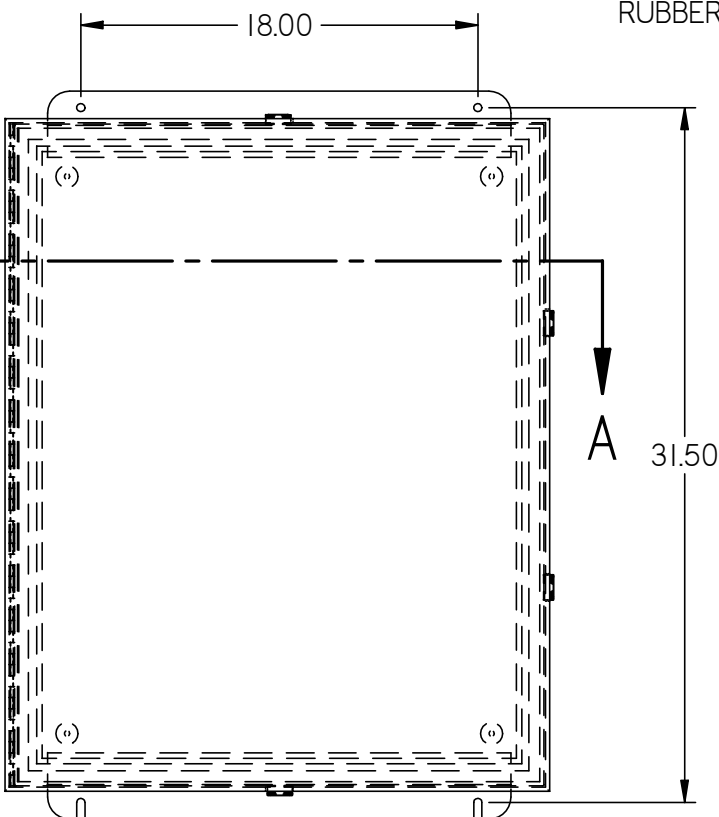


SECTION A-A



**MAT'L
GREY PVC TYPE II
NEMA X**

ENCLOSURE SOLUTIONS Inc.
2652 Eaton Road University Heights, OH 44118
216 789 3814 www.enclosure-solutions.com

ES302408PVCF