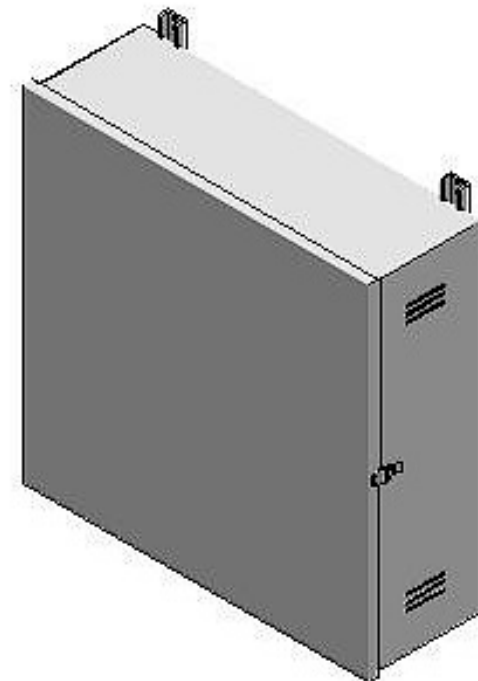
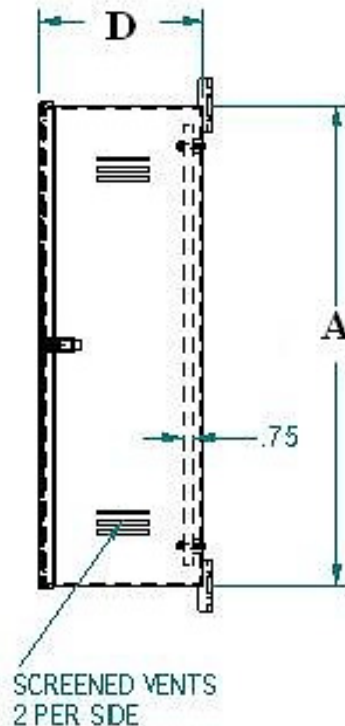
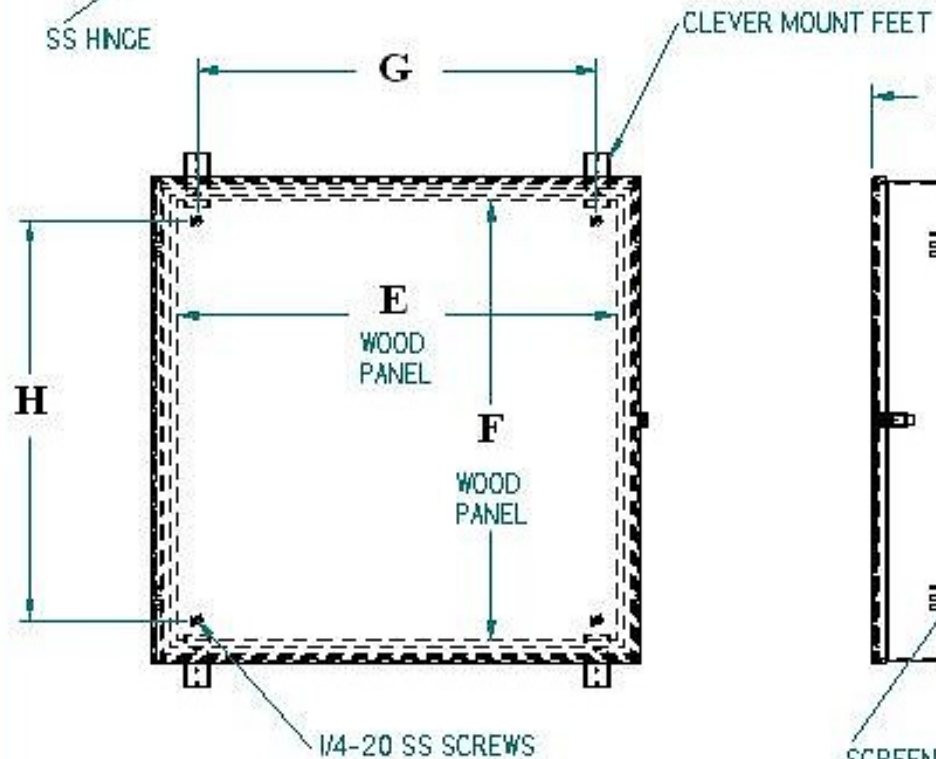


	A	B	C	D	E	F	G	H
CT363612	36	36	12	12.25	33	33	30	30
CT484812	48	48	12	12.25	44	44	42	42



PATENT No. 5,316,165 5,555,989 6,110,086

3/16 PVC TYPE II
NEMA 3R

3/16 PVC Type II		NEMA 3R		NEMA 3R	
DATE OF INVENTION	2002	DATE OF INVENTION	2002	DATE OF INVENTION	2002
INVENTOR	CT ENCL. INC.	INVENTOR	CT ENCL. INC.	INVENTOR	CT ENCL. INC.
ATTORNEY	CT ENCL. INC.	ATTORNEY	CT ENCL. INC.	ATTORNEY	CT ENCL. INC.
DATE	9/27/2011	DATE	9/27/2011	DATE	9/27/2011
CT ENCLOSURES					